

TO-75000 UAZ HUNTER

Repair instructions number
00506

Repair instructions name
TO-75000 UAZ Hunter

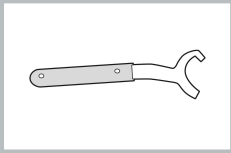
Applies to
2924000001200
...

Model
HUNTER

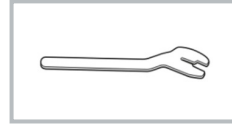
Production period
2019

Modification
Not selected

Special tools

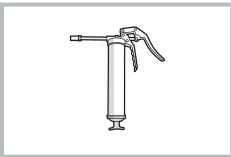


Wrench for holding the water pump shaft
005500000404900

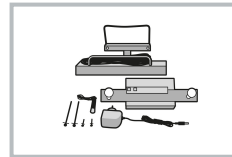


Fan viscous clutch removal key
005500000355600

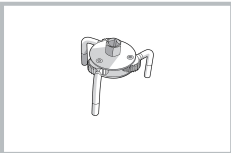
General equipment



Grease gun



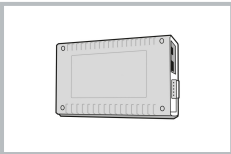
A device for measuring the total backlash of the steering



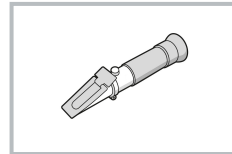
Oil filter remover



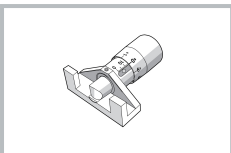
Tire pressure gauge



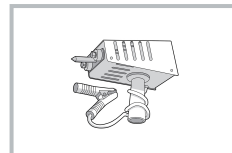
Diagnostic system UAZ



A device for measuring the density of a coolant (refractometer)



Universal belt tension tester



Load fork

Refer to the instructions - HUNTER - Car installation on lift (X) (00410)

1. Work outside the car:

IMAGE

OPERATION DESCRIPTION



1. Check by inspection for chips, cracks and foci of corrosion of the body paintwork.

The presence of chips, cracks and centers of corrosion of the body paintwork is not allowed.

Img 1



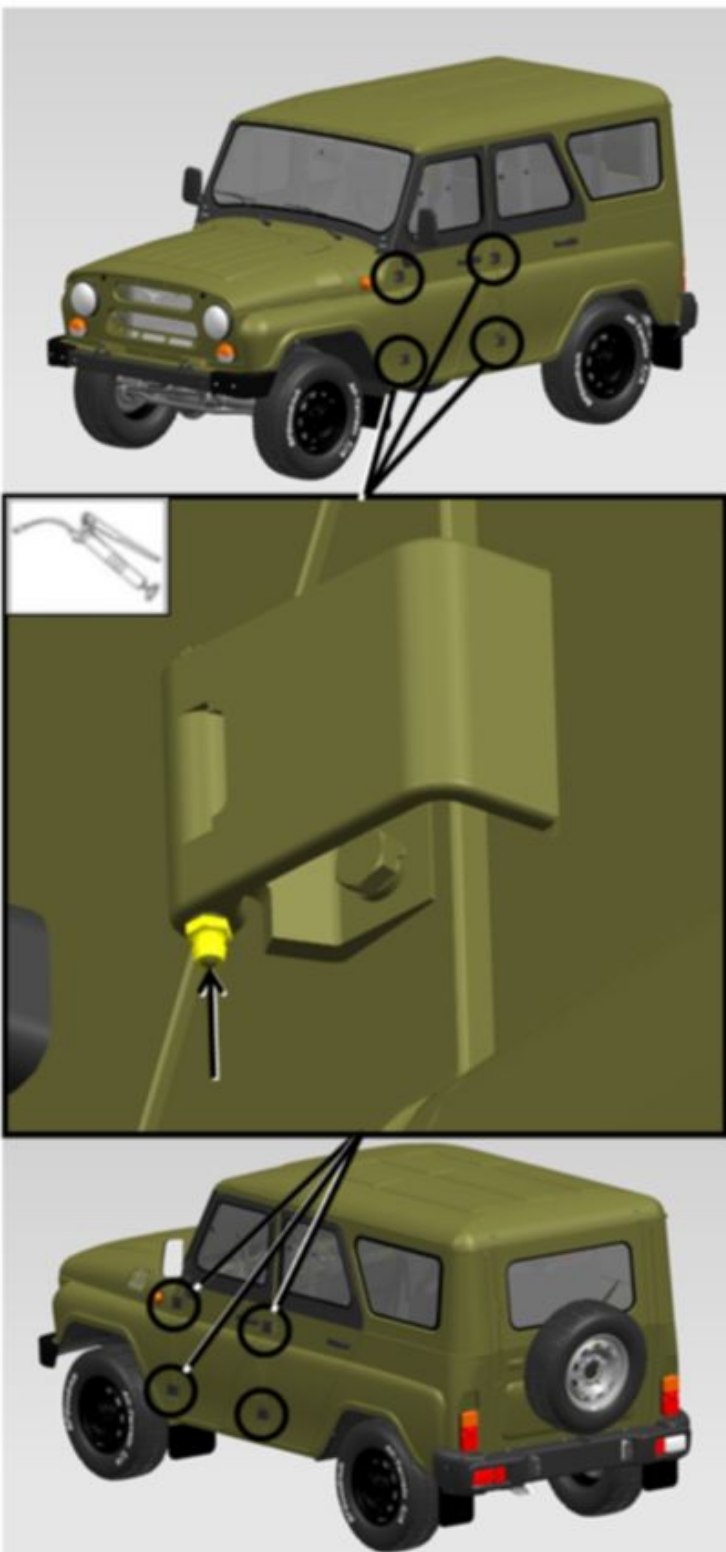
2. Check by inspection for chips, cracks on glass and rear-view mirrors, lighting devices and light alarms.

The presence of chips, cracks on glass and rear-view mirrors, lighting and light signaling devices is not allowed.

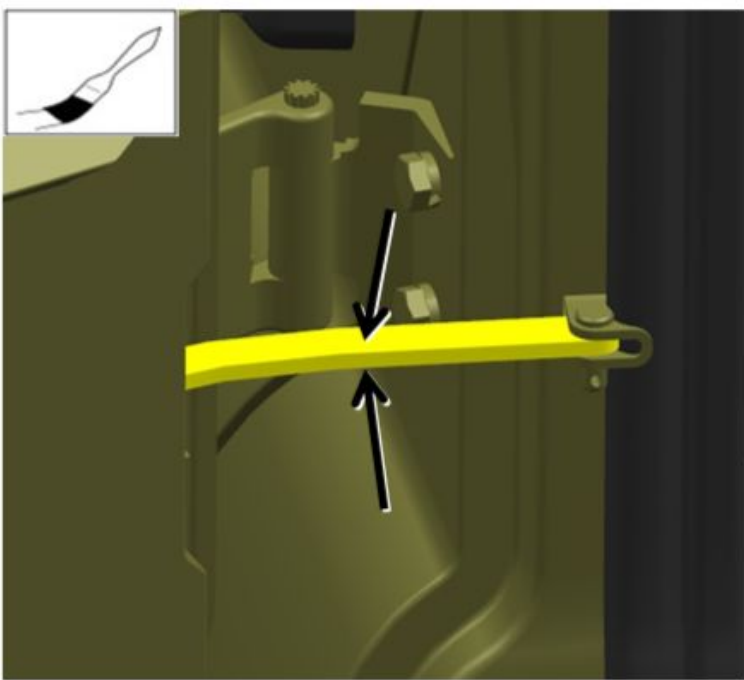


Img 2

3. Apply grease to the door hinges.

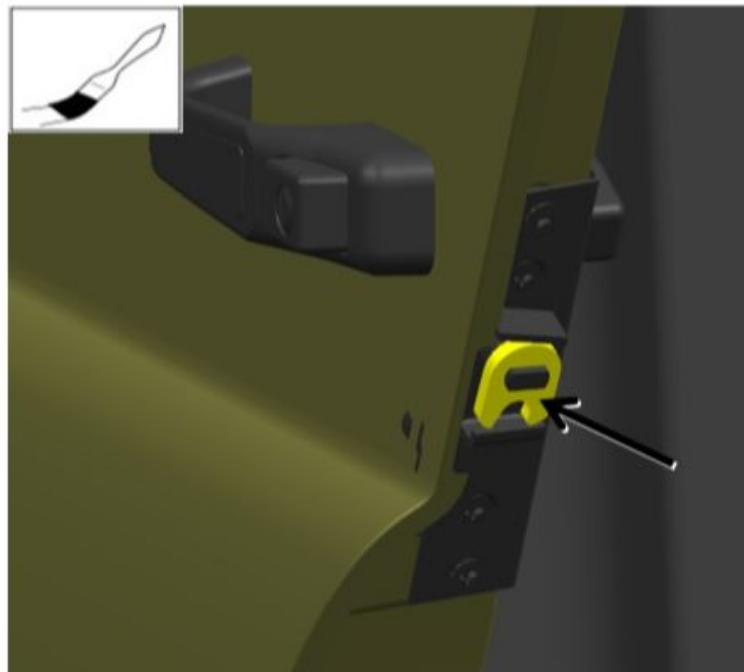


Img 3



4. Apply grease to the door stops.

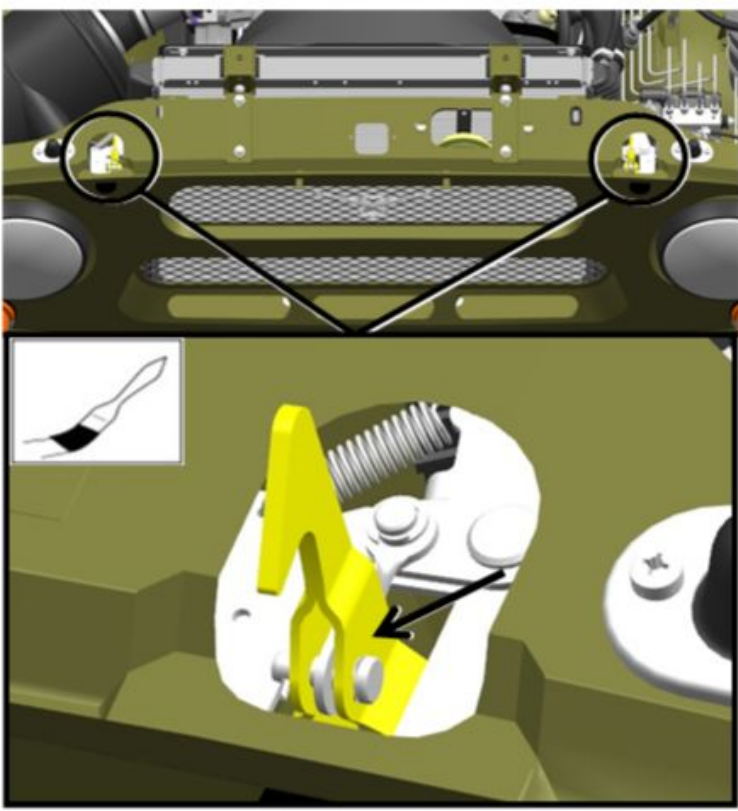
Img 4



5. Apply grease to the door locks.

Img 5

6. Apply grease to the hood lock and hook.



Img 6

2. Work inside the car:

IMAGE

OPERATION DESCRIPTION



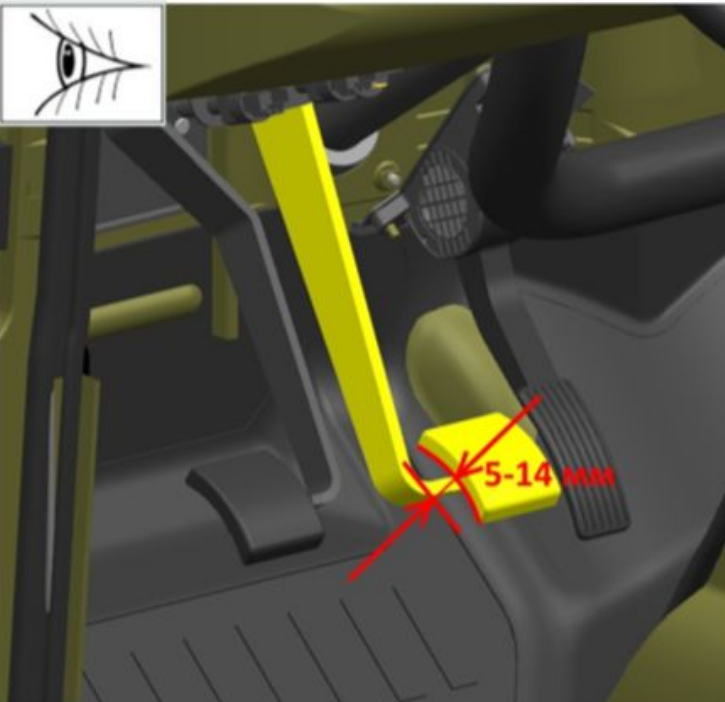
1. Install the parts of the device for measuring the total backlash of the steering on the steering wheel and on the left front wheel of the car.

2. Check the total backlash of the steering according to the operating instructions of the device.

The total backlash should not exceed 20 degrees.



Img 1



Img 2

3. Check the free play of the brake pedal.

The amount of free travel of the brake pedal should be 5-14 mm.



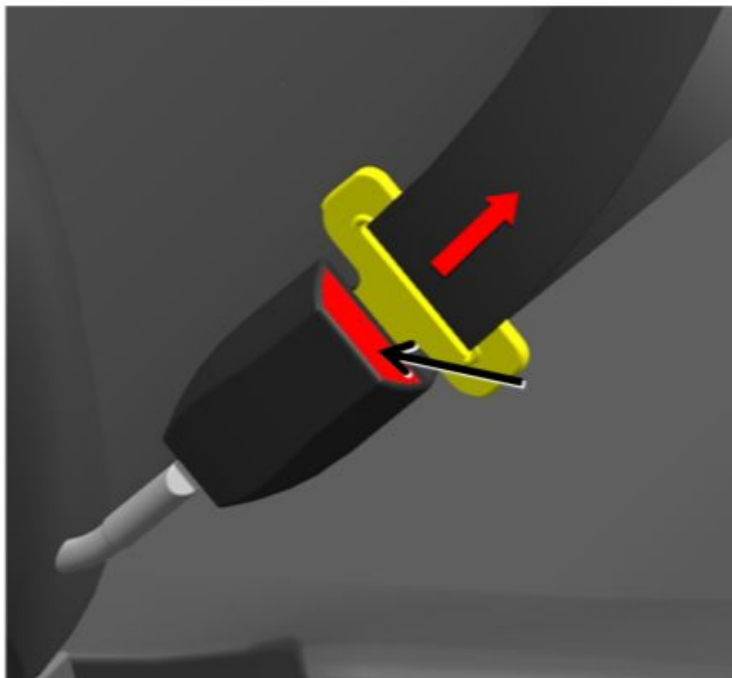
Img 3

4. Check the operation of the driver's belt retractor.

The device should wind the belt around the reel easily and without jamming.

5. Check the functionality of the inertia reel of seat belts.

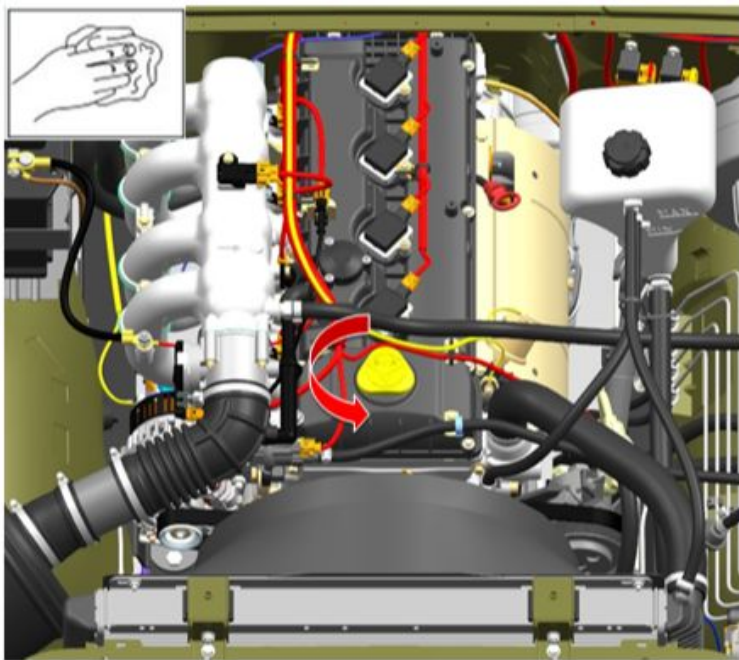
When pulling sharply at different lengths, the inertial coil should block the change in the length of the belt.



Img 4

6. Check the operation of the driver's belt locking device.

The belt buckle must fit securely in the device. When unlocking, the buckle must be thrown out of the locking device.

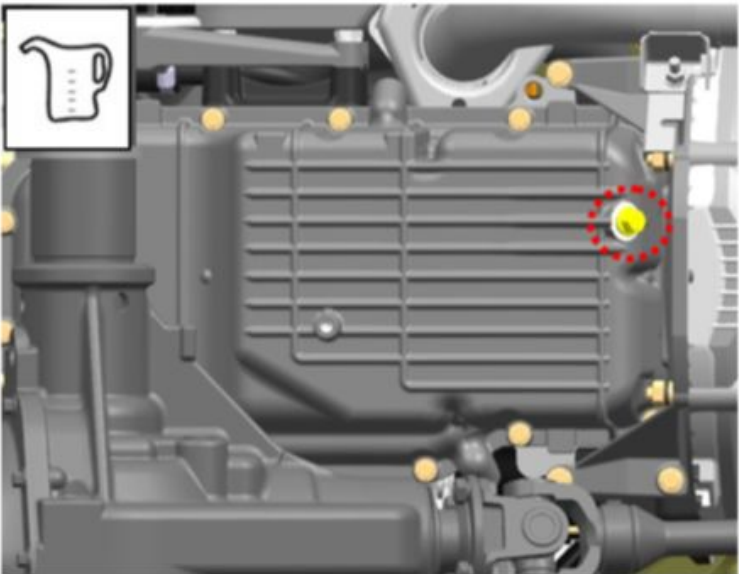


Img 5

7. Remove the engine oil filler cap.

3. Work under the car bottom:

IMAGE



Img 1

OPERATION DESCRIPTION

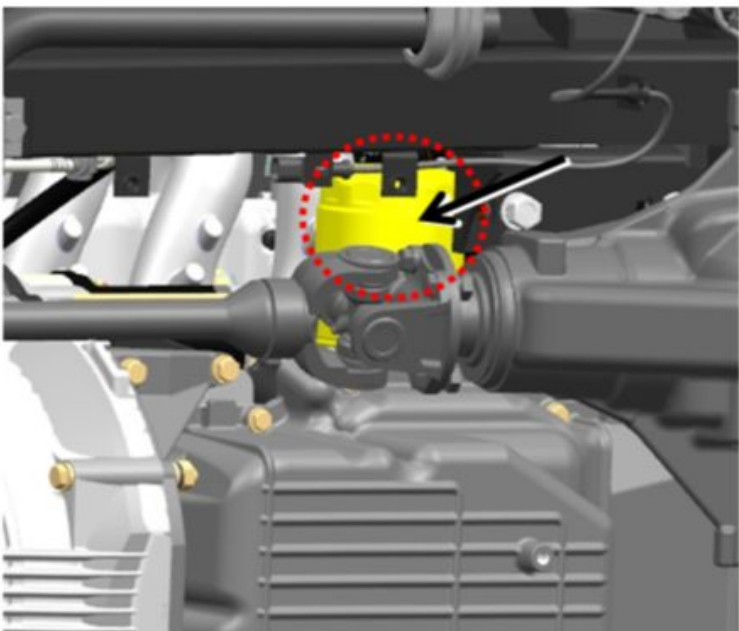
1. Place a container under the oil sump to drain the oil.

2. Unscrew the drain plug on the engine crankcase.
tightening torque- 28 N·m

⚠ NOTIFICATION: Reuse of the drain plug O-ring is not permitted.

3. Let the oil drain.
Waiting time is 3-5 minutes.

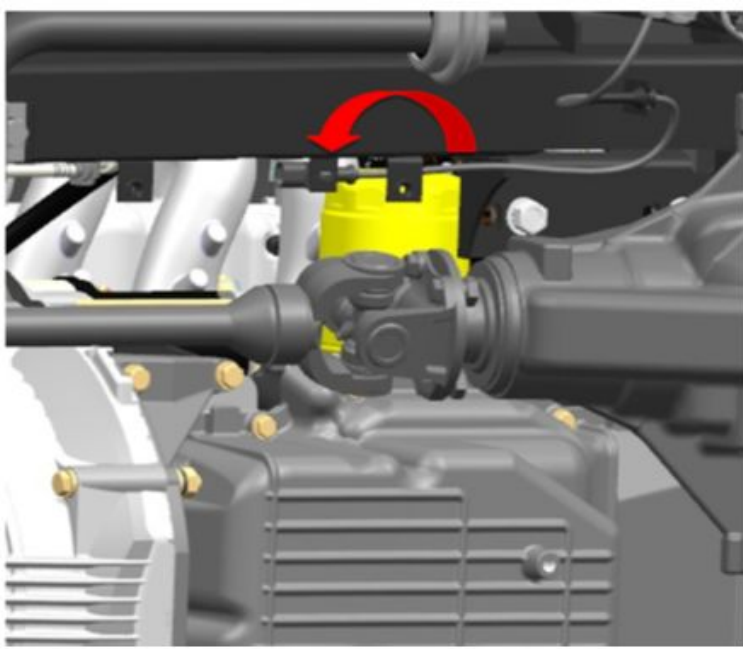
4. Close the drain plug.
tightening torque- 28 N·m



Img 2

5. Unscrew the oil filter.
tightening torque- 20 N·m

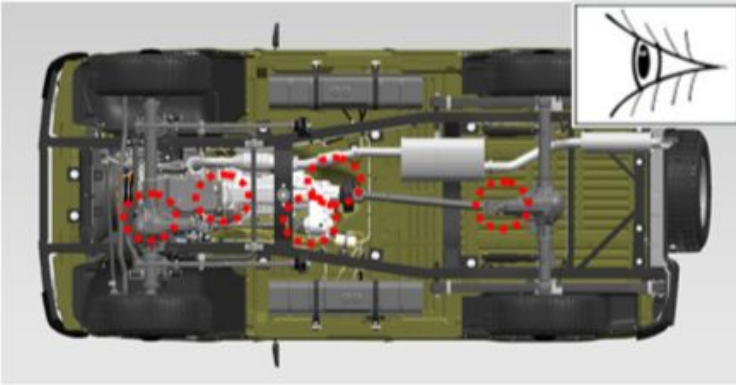
Make sure the filter O-ring is not left on the heat exchanger.
⚠ NOTIFICATION: Filter reuse is not allowed.



6. Screw on the filter.

Screw in the filter until the O-ring touches the plane on the heat exchanger, and then turn the filter 3/4 turn.

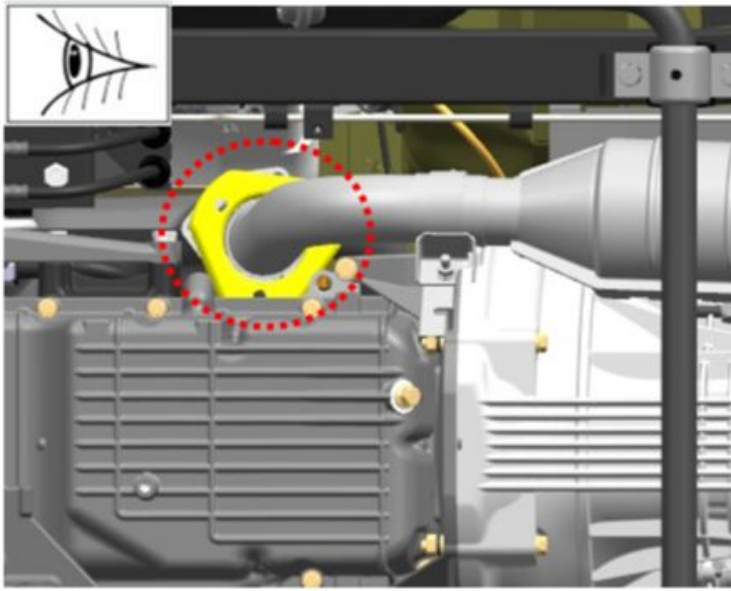
Img 3



7. Visually inspect the gaskets and oil seals of the engine, gearbox, transfer case, steering mechanism, front and rear axles.

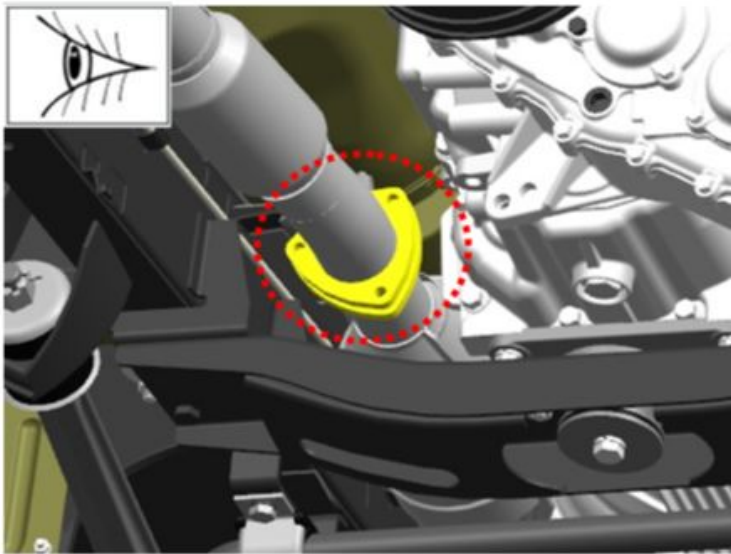
Oil leakage and ejection are not allowed.

Img 4

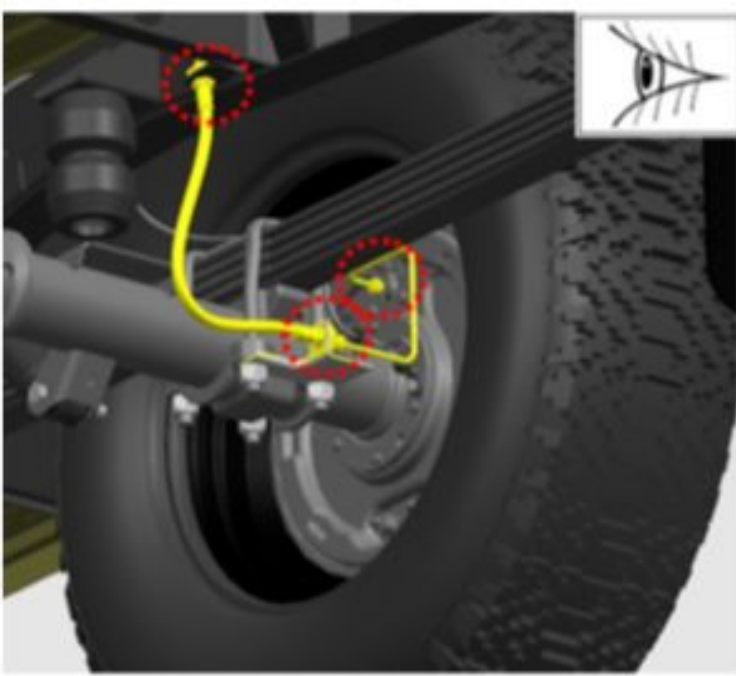


8. Visually check the connections of the exhaust system for leaks.

Leakage of connections is not allowed.

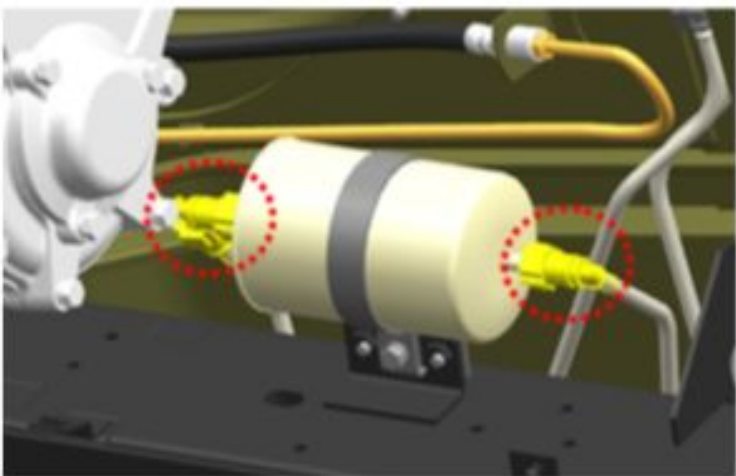
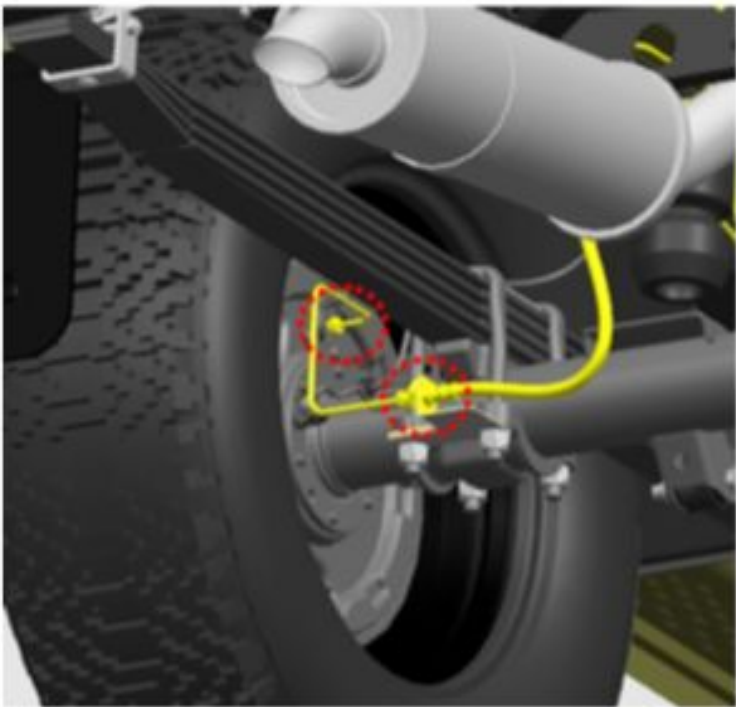


Img 5

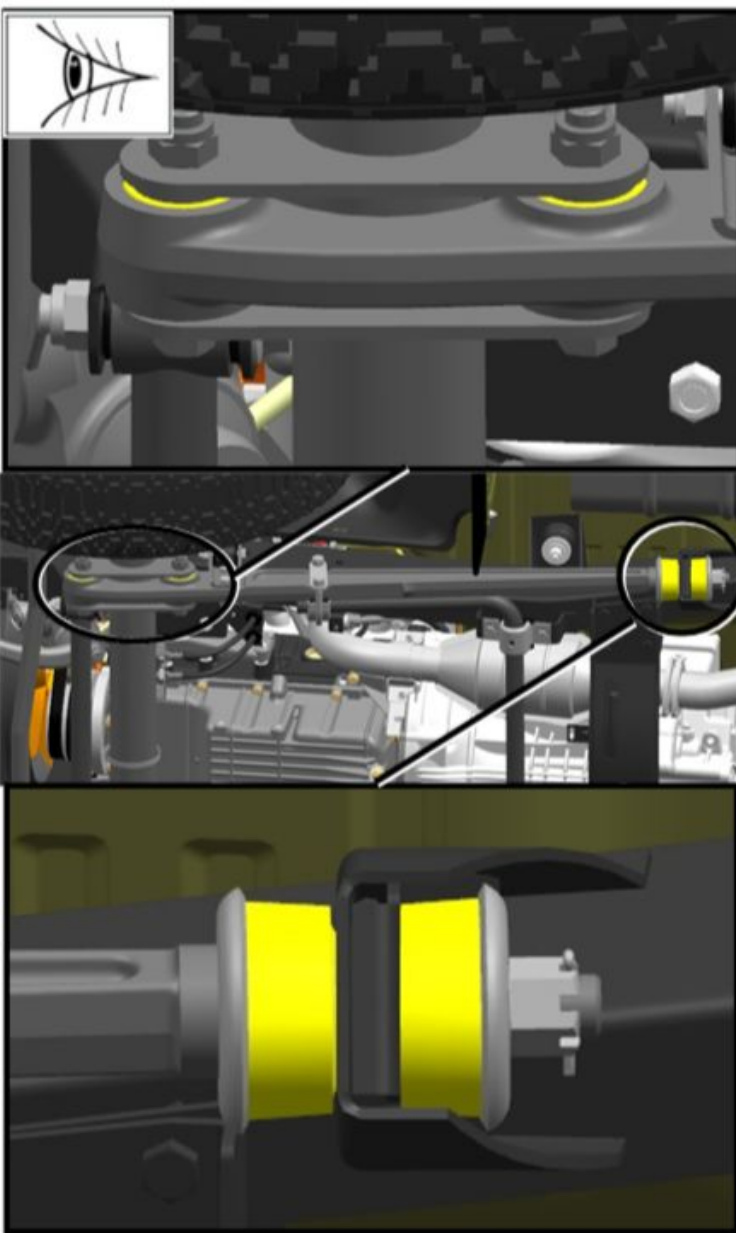


9. Visually check the connections of pipelines of cooling systems, heating, power supply, hydraulic drive of brakes and clutch, vacuum take-off system from the vacuum brake booster, condition of pipes and hoses.

Leakage of coolant, fuel, brake fluid, leaks in the vacuum hose (vacuum booster) are not allowed. Operation of deformed pipes of the hydraulic drive of brakes, parts of the vacuum take-off system is not allowed.



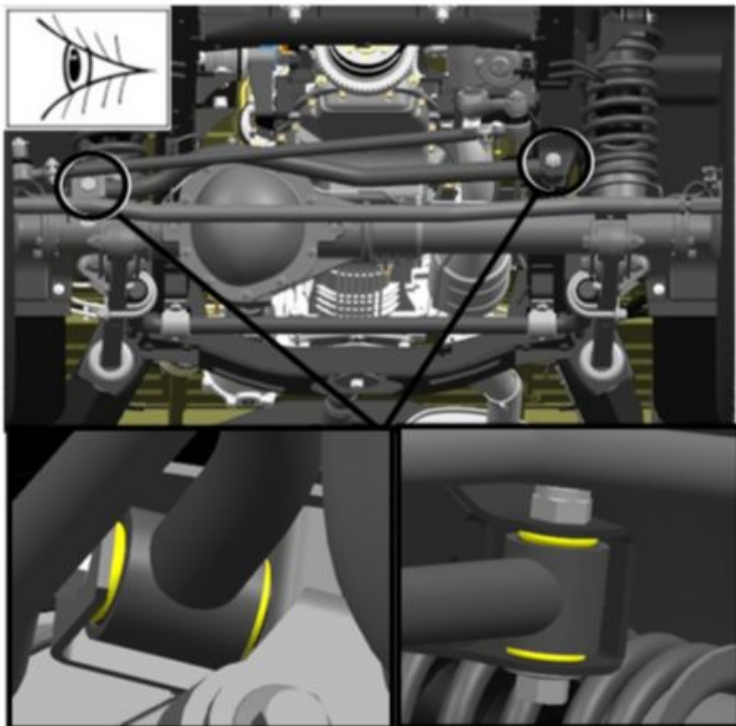
Img 6



Img 7

10. Inspect the longitudinal rod joints.

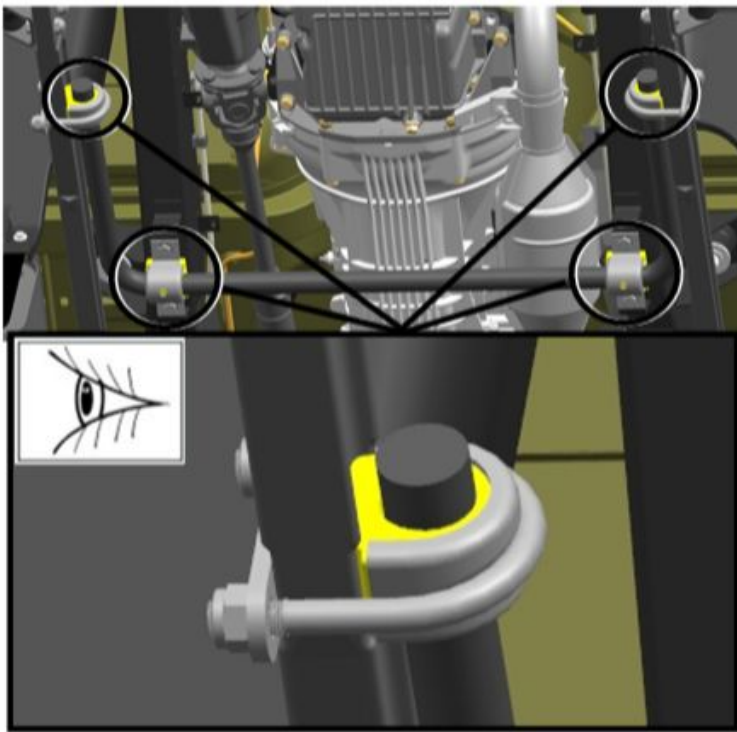
The hinges should not have cracks, breaks, undercutting and wear of rubber along the outer end of the hinge.



Img 8

11. Inspect the transverse link joints.

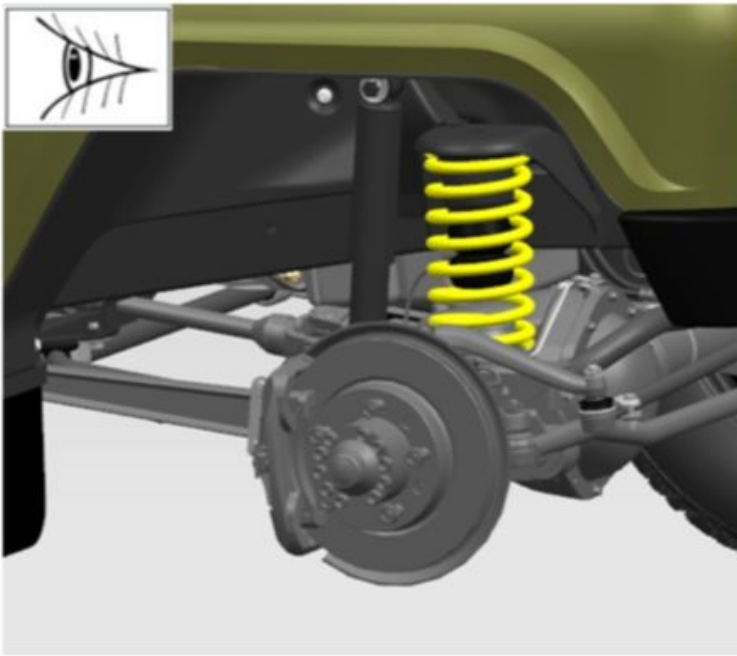
The hinges should not have cracks, breaks, undercutting and wear of rubber along the outer end of the hinge.



12. Inspect the front anti-roll bar joints.

The hinges should not have cracks, breaks, undercutting and wear of rubber along the outer end of the hinge.

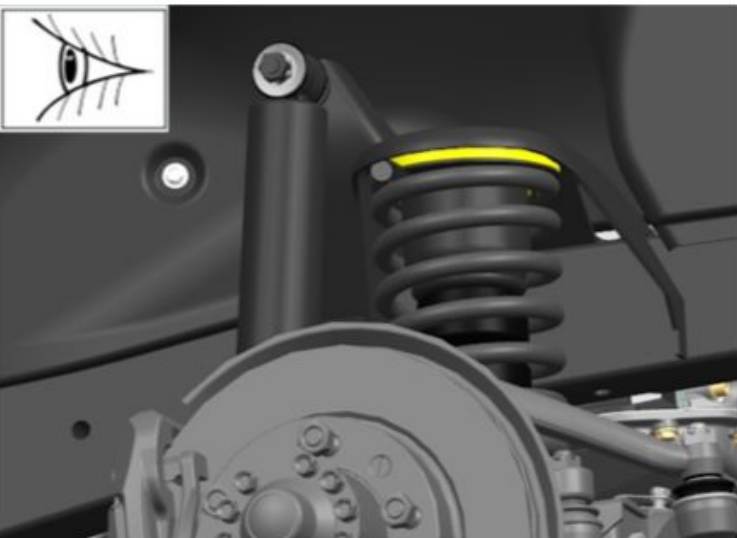
Img 9



13. Inspect the springs.

The springs should not have mechanical damage and deformation of the coils.

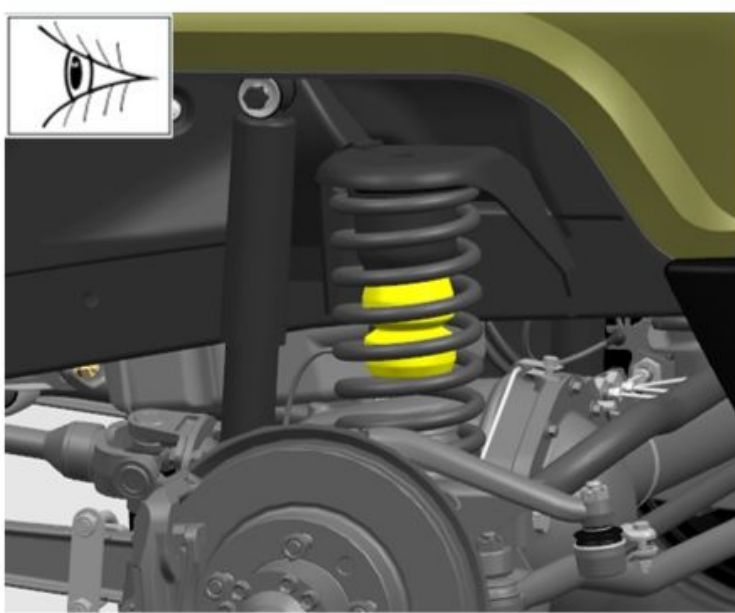
Img 10



14. Inspect the rubber spring seals.

The gaskets should not have mechanical damage and deformation.

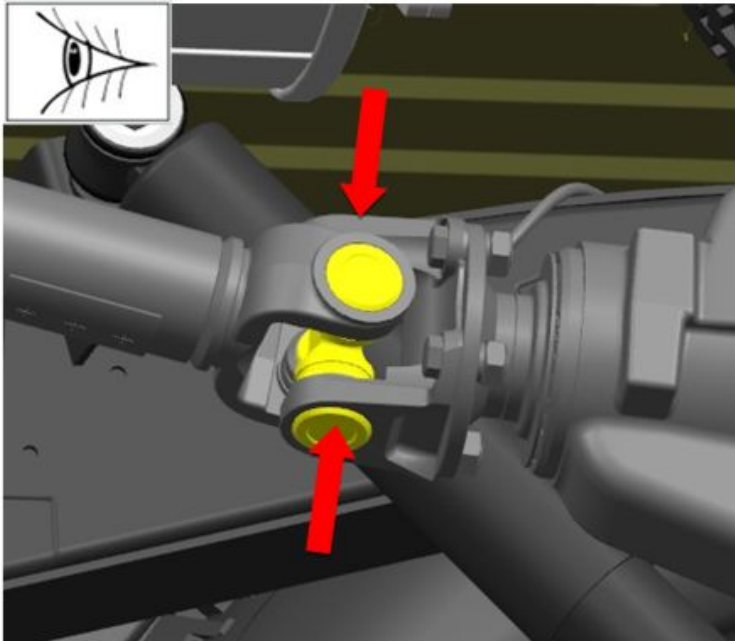
Img 11



15. Inspect the spring buffers.

Spring buffers should be free from cracks, breaks and deformations.

Img 12



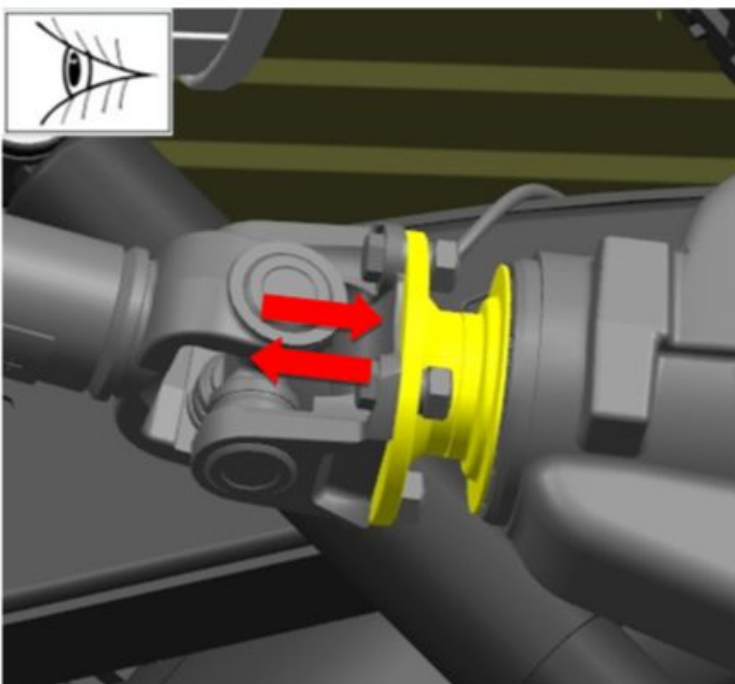
16. Check the backlash in the crosspieces of the driveshafts by applying an alternating hand force along the axes of the crosspieces.

Backlash in the crosspieces is not allowed.

17. Rotate the crosspiece 90 degrees and recheck.

Backlash in the crosspieces is not allowed.

Img 13



18. Check the presence of axial play in the bearings by moving the drive gear for the propeller shaft flange.

Img 14



19. Check the play in the wheel hub bearings by swinging the wheels in a vertical plane.

No play in the hub bearings is allowed.

Img 15



20. Check the smoothness of the wheel rotation.

Rolling of the hub bearings and wheel wedging during rotation is not allowed.

Img 16



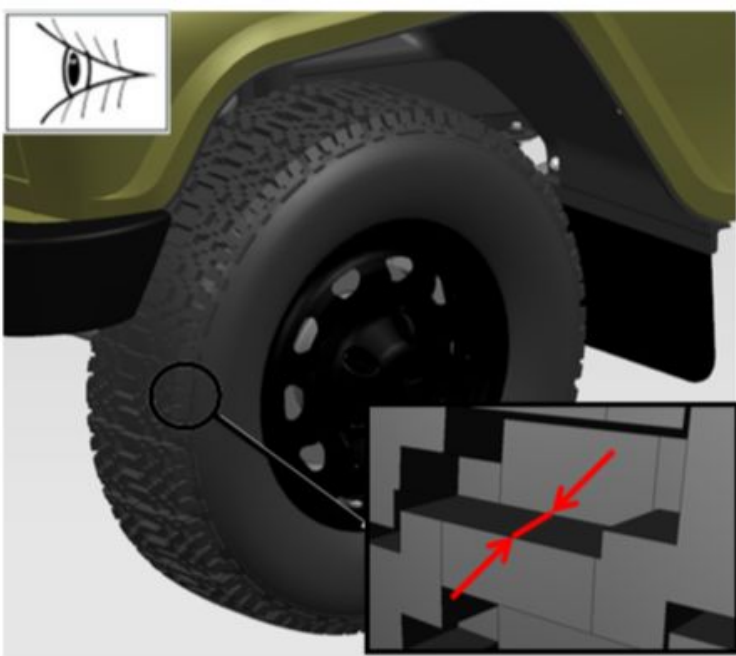
21. Inspect the tires of the wheels.

22. Inspect the wheel rims.

23. Check the pressure in the tires of the wheels.

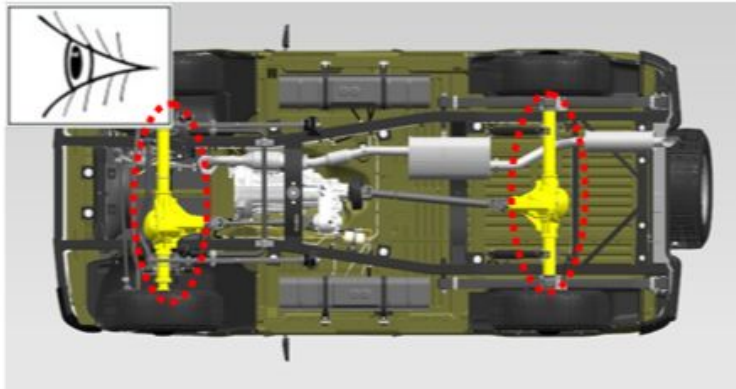
Tire pressures must comply with the values in Table 1.

Img 17



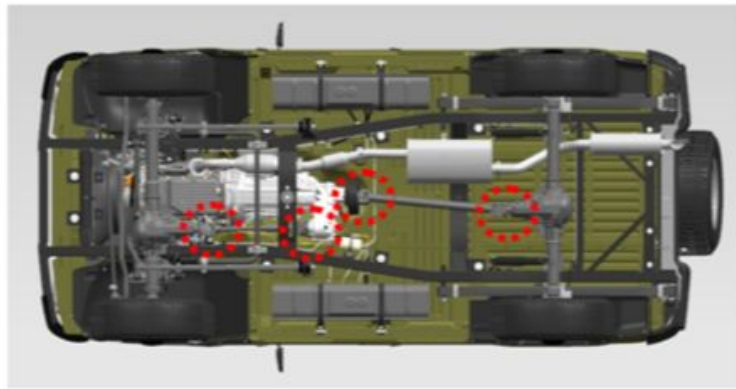
24. Measure the residual depth of the tread pattern.
The residual tread depth must be more than 1.6 mm.

Img 18



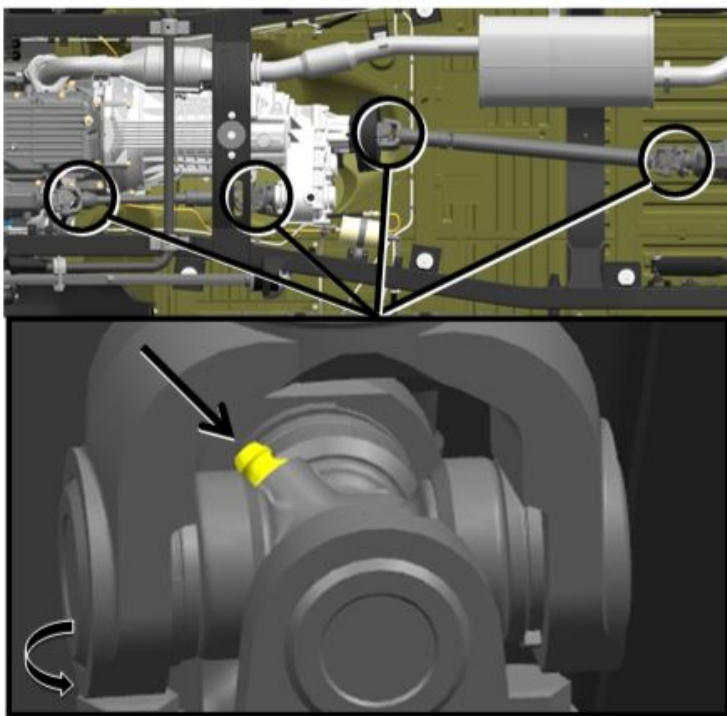
25. Inspect the bridges.
Bridges should be free of visible damage, cracks and leaks.

Img 19



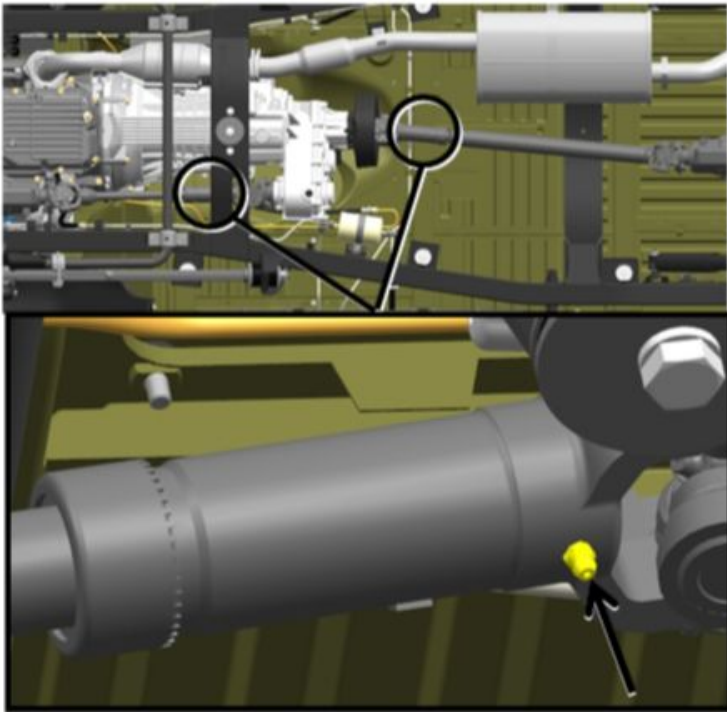
26. Tighten the mountings of the propeller shaft flanges.
S=17
S=14
tightening torque- 50 N·m

Img 20



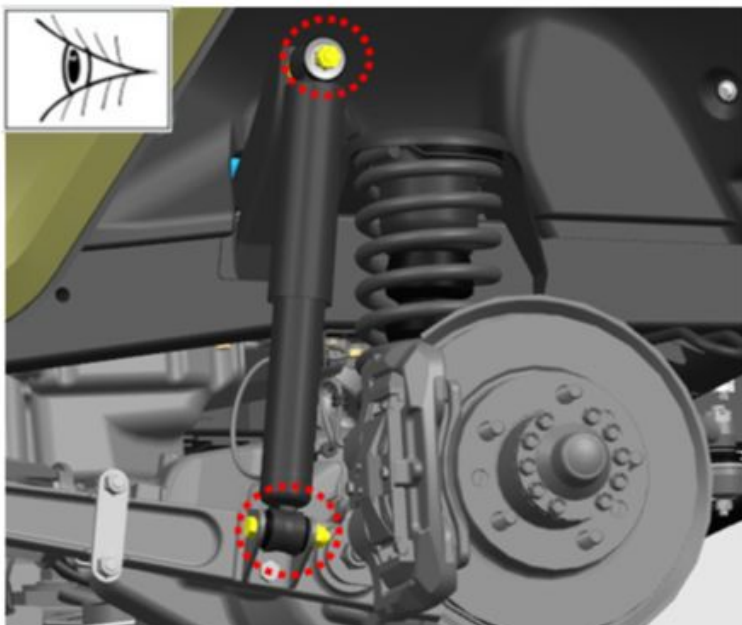
27. Lubricate the joints of the front and rear propeller shafts.
Lubricate until it comes out from under the working edges of the crosspiece cuffs.

Img 21



28. Lubricate the splines of the front and rear propeller shafts.
Make 3-5 strokes without waiting for the lubricant to come out.

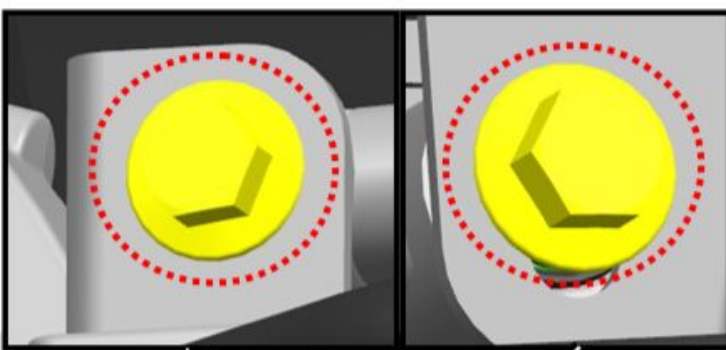
Img 22



29. Inspect the front suspension shock absorbers.
Oil fogging of the shock absorber does not indicate a malfunction and is acceptable. The appearance of drips on the shock absorber body, indicating a loss of tightness, is not allowed.

30. Tighten the front suspension shock absorber mountings.
tightening torque- 60 N·m

Img 23



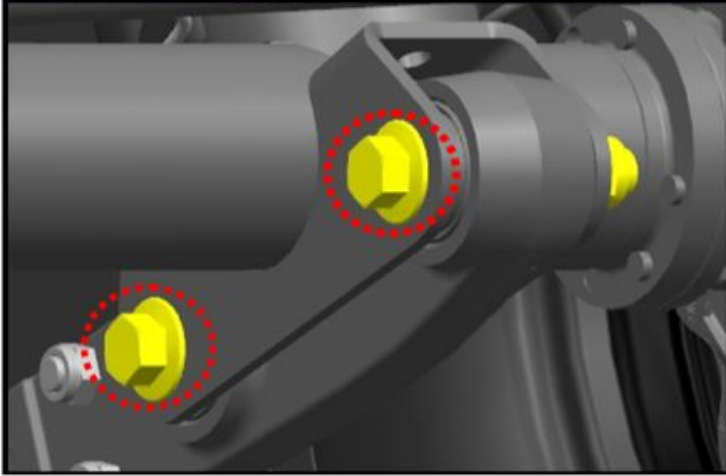
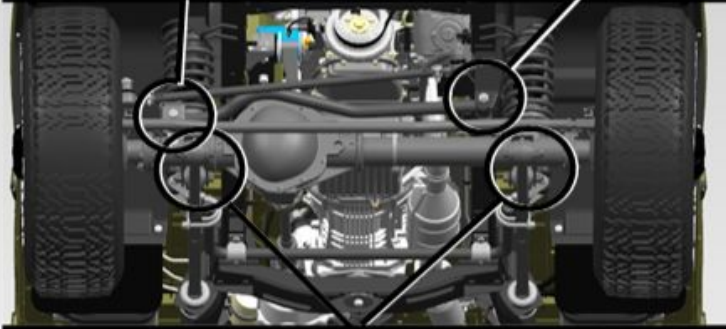
31. Tighten the nuts securing the longitudinal rods and lateral rods of the front suspension.

S=24

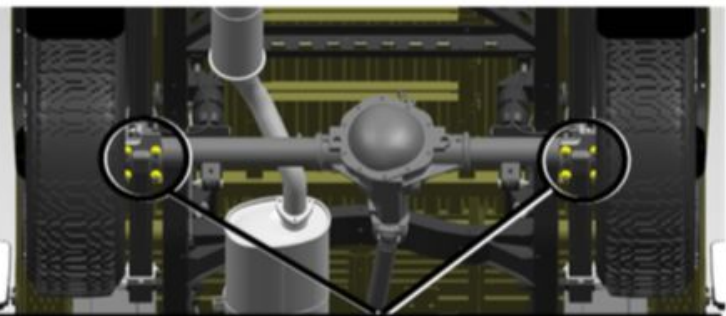
S=21

S=22

tightening torque- 150 N·m



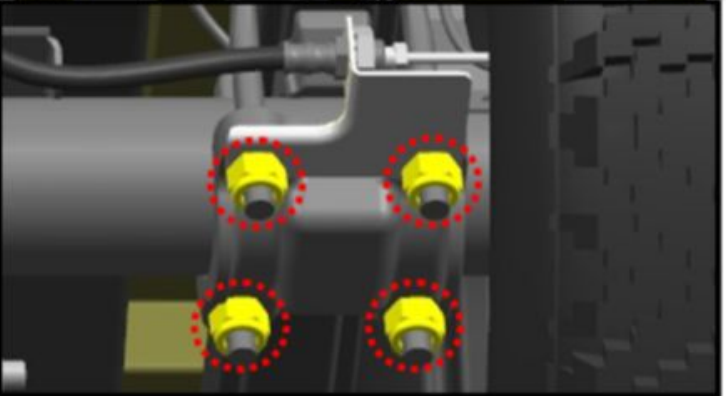
Img 24



32. Tighten the fastening of the spring ladder nuts.

S=24

tightening torque- 95 N·m

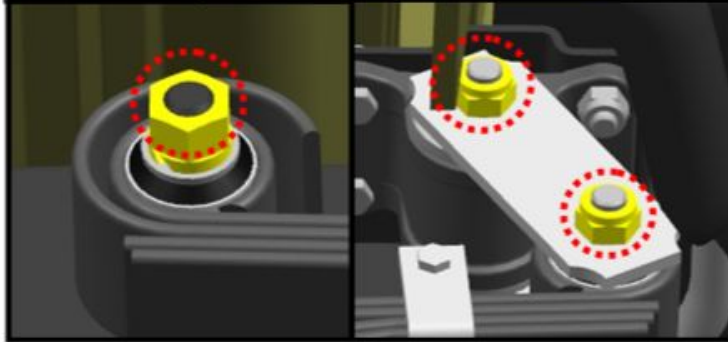


Img 25



33. Inspect the springs.

The springs should not have sheet cracks, their longitudinal or transverse displacement.



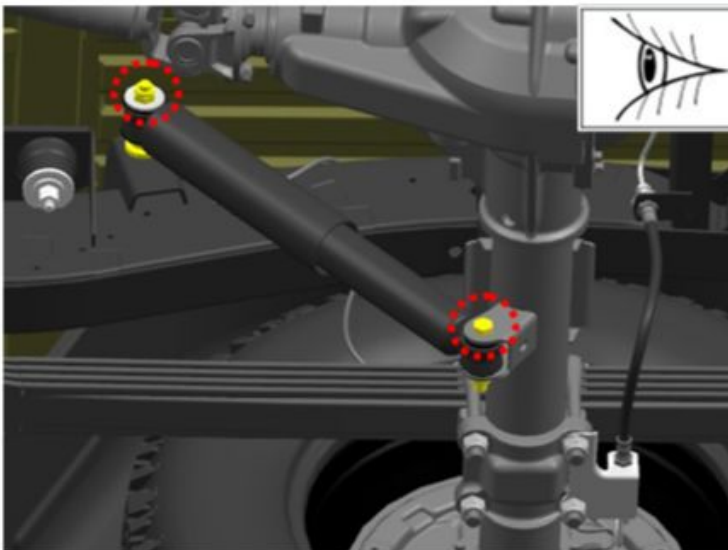
34. Tighten the fastening of the axle nuts of the front end of the spring.

tightening torque- 170 N·m

35. Tighten the spring shackle pin fastening.

tightening torque- 90 N·m

Img 26



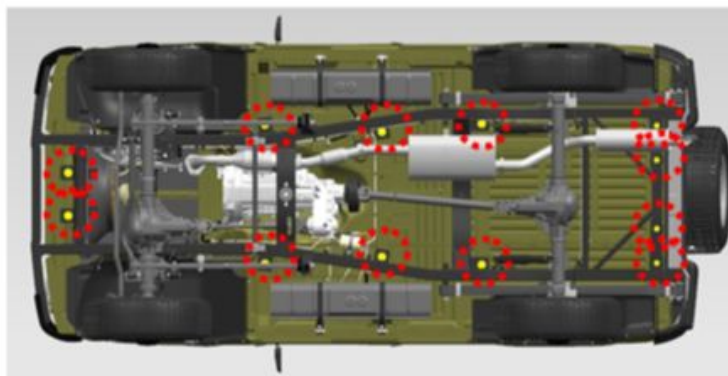
36. Inspect the rear suspension shock absorbers.

Oil fogging of the shock absorber does not indicate a malfunction and is acceptable. The appearance of drips on the shock absorber body, indicating a loss of tightness, is not allowed.

37. Tighten the rear suspension shock absorber mountings.

tightening torque- 57 N·m

Img 27

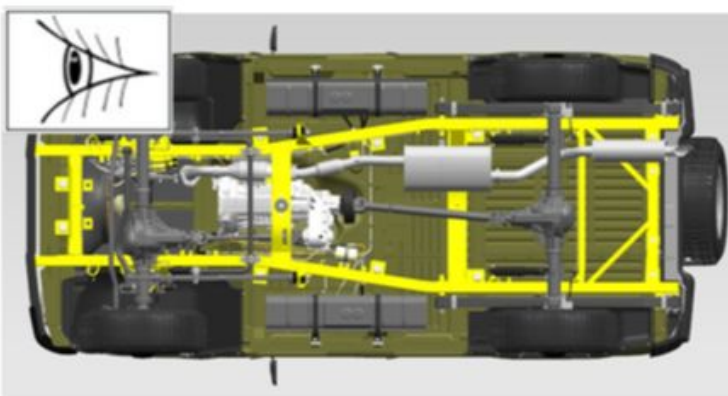


38. Tighten the nuts of the body-to-frame bolts.

S=17

tightening torque- 35 N·m

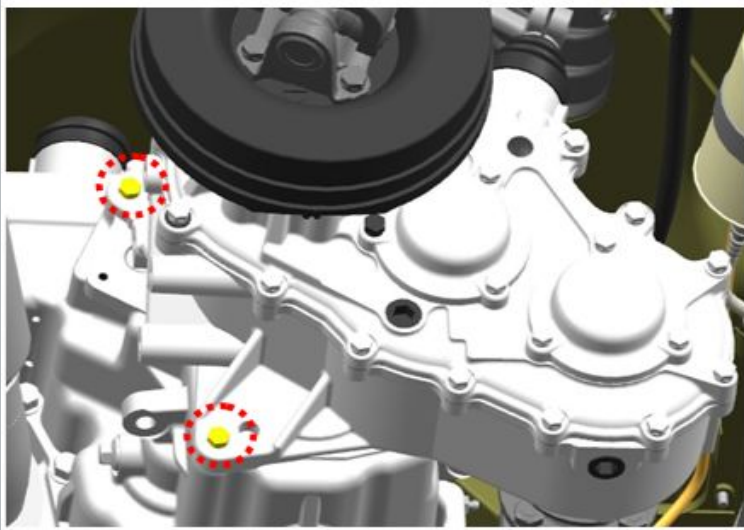
Img 28



39. Check by inspection for chips, cracks and foci of corrosion of the frame paintwork.

The presence of chips, cracks and foci of corrosion of the paintwork of the frame is not allowed.

Img 29

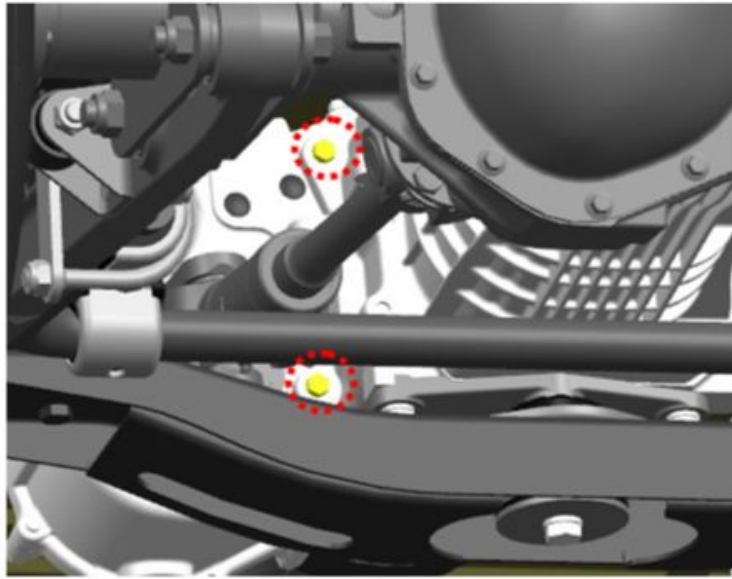


Img 30

40. Tighten the fasteners from the transfer case side.

S=17

tightening torque- 50 N·m



Img 31

41. Tighten the fasteners from the transmission side.

S=17

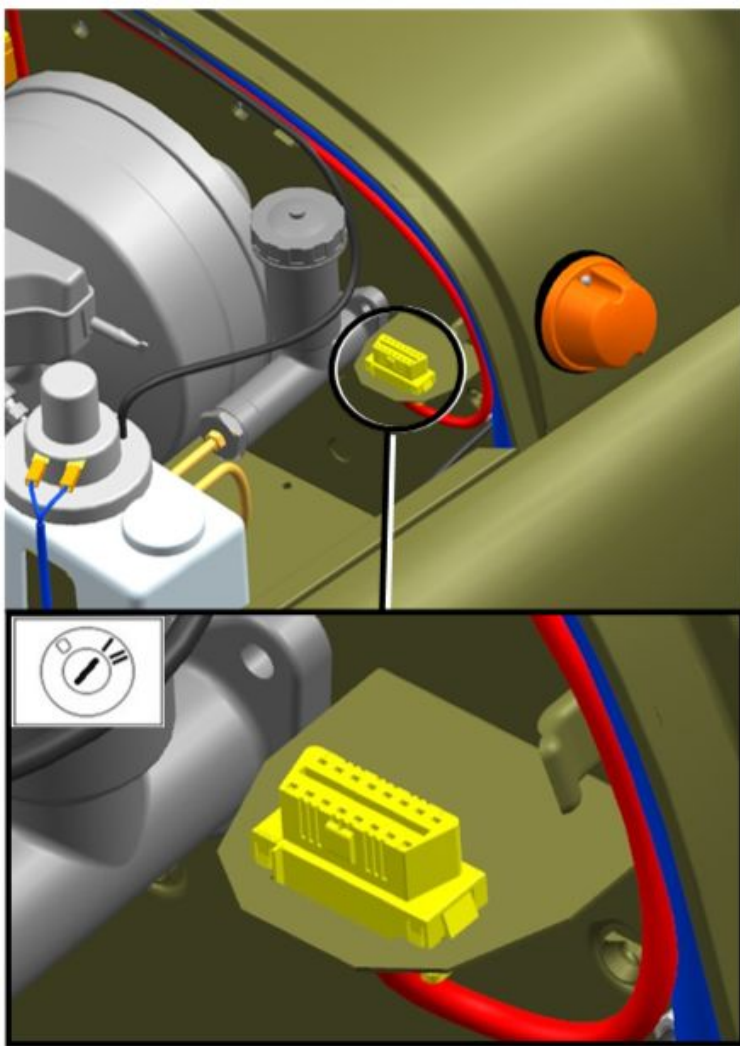
tightening torque- 50 N·m

Lower the car down on a lift.

4. Work in the engine compartment:

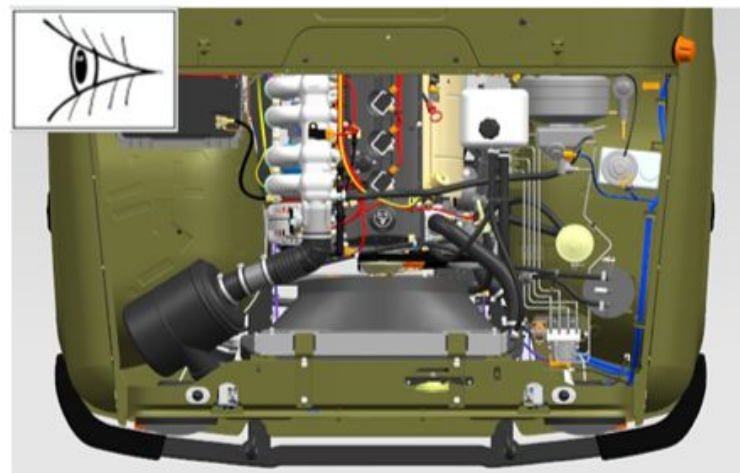
IMAGE

OPERATION DESCRIPTION



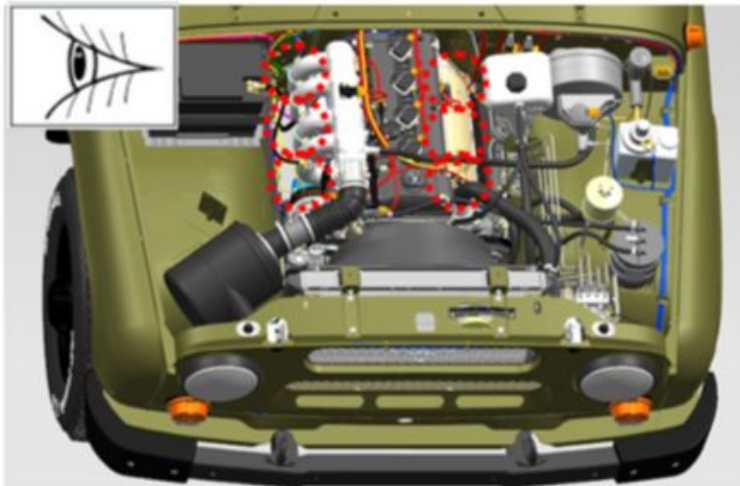
Img 1

1. Connect the UAZ diagnostic system to the OBD-II connector.
2. Switch on the ignition.
3. Check for DTCs in the ECM.
4. Check for fault codes in the ABS control unit.



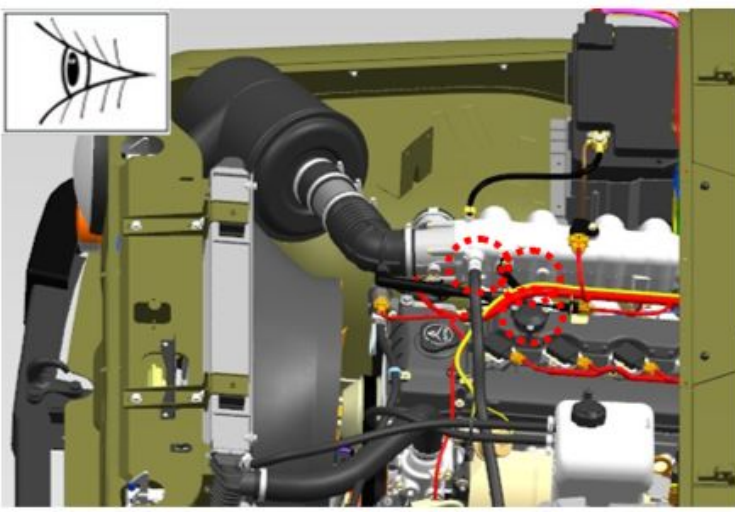
Img 2

5. Carry out an external inspection of hoses, branch pipes, pipes, engine wires.
If there are traces of contact on the parts of the car, change their position relative to the engine. Scuffs and wear on hoses, branch pipes, pipes, wires are not allowed.



Img 3

6. Visually check the connections of the intake and exhaust systems for leaks.
Leakage of connections is not allowed.

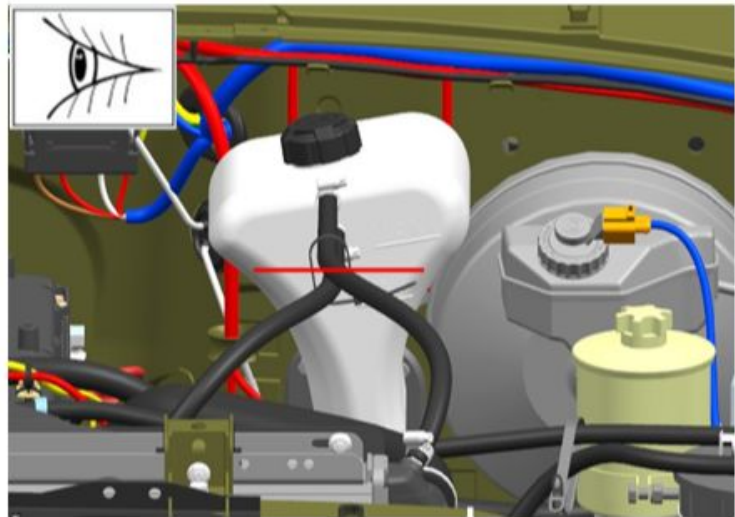


Img 4

7. Visually check the connections of hoses, branch pipes, pipes of the crankcase ventilation system for leaks.

8. Carry out a visual inspection of the hoses for damage.

Leakage of connections and damage to hoses are not allowed.



Img 5

9. Visually check the coolant level in the expansion tank.

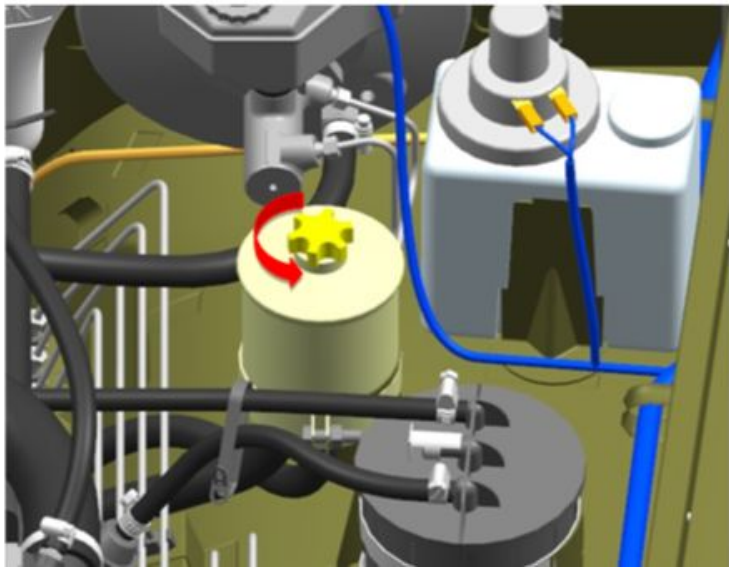
Check the coolant level only on a cold engine. The liquid level in the expansion tank should be 3-4 cm above the "min" mark.



Img 6

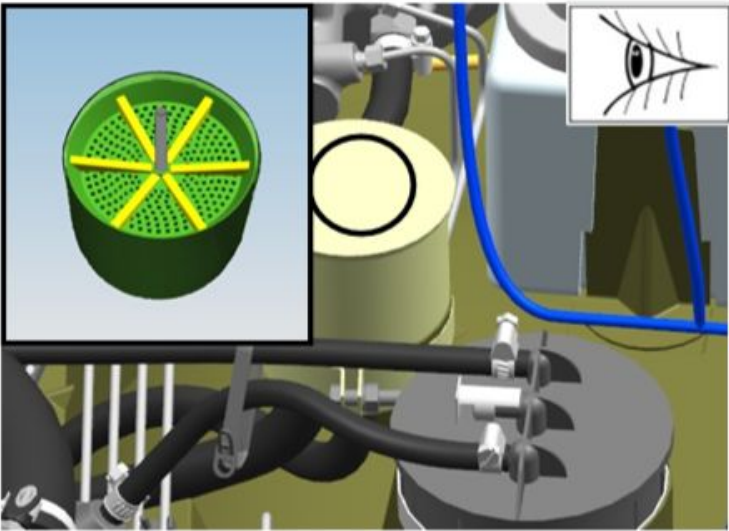
10. Check the freezing point of the coolant with a refractometer.

The freezing temperature of the coolant should be as follows: - for regions with a temperate climate: $-40-45^{\circ}\text{C}$ - for regions of the Far North: $-60-65^{\circ}\text{C}$



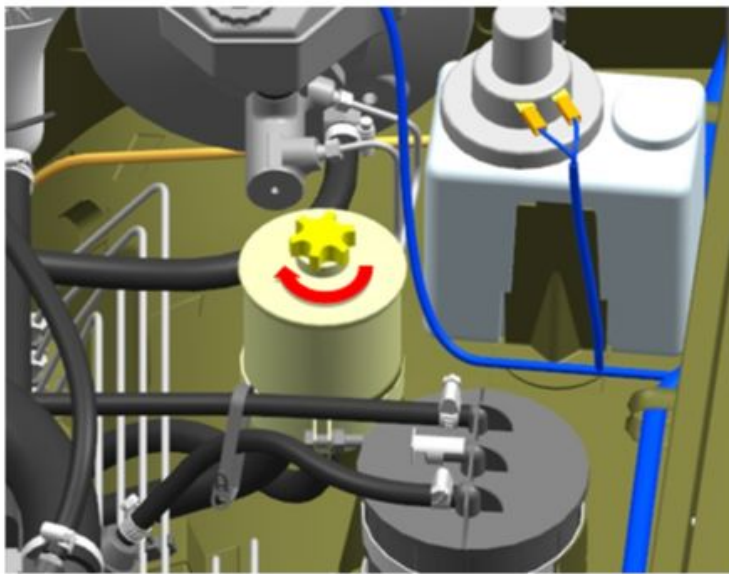
Img 7

11. Unscrew the oil tank cap.



Img 8

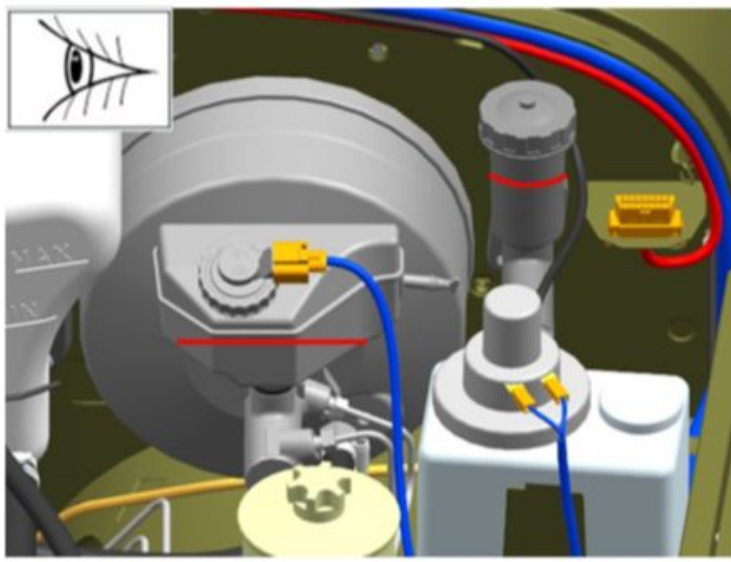
12. Check the oil level in the power steering tank.
Fill in oil until it appears above the strainer (no more than 5 mm).



Img 9

13. Install the oil tank cover with a gasket.

14. Tighten the nut with the O-ring of the oil tank cover.

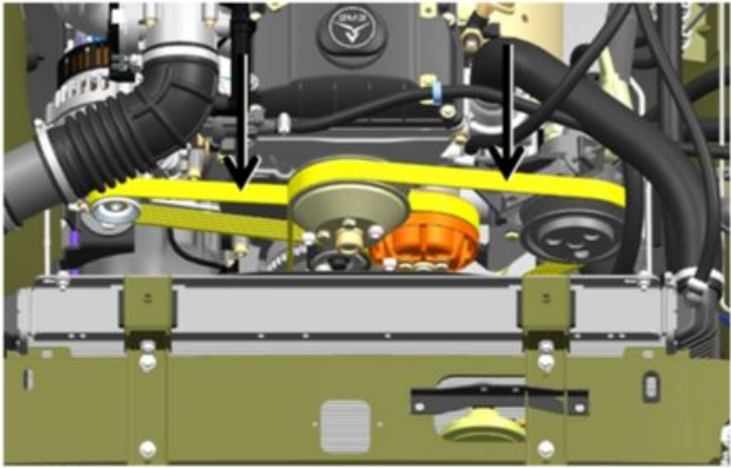


Img 10

15. Check the fluid level in the reservoir of the clutch master cylinder.
The liquid level should be 15-20 mm below the upper edge of the tank.

16. Check the fluid level in the reservoir of the master cylinder of the hydraulic brake.

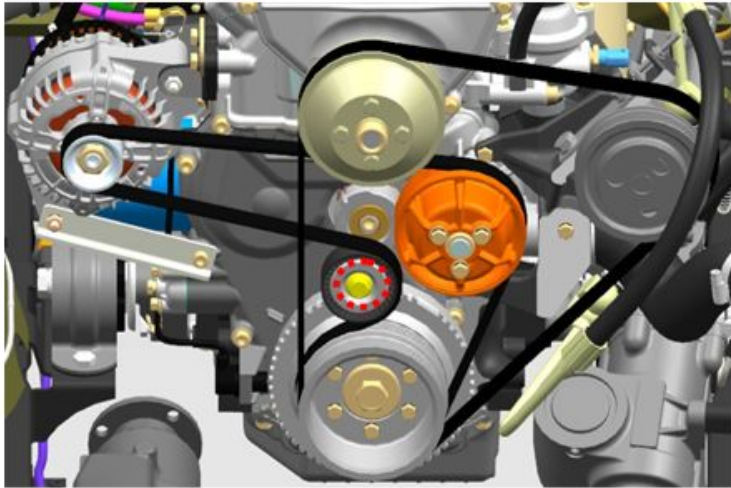
The brake fluid level should be at the "MAX" mark.



Img 11

17. Check the tension of the accessory and fan drive belts.

The deflection of the accessory drive belt should be 6-8 mm with a load of 40 N. The deflection of the fan drive belt should be 10-15 mm with a load of 40 N. Damage or excessive stretching of the belts is not allowed.

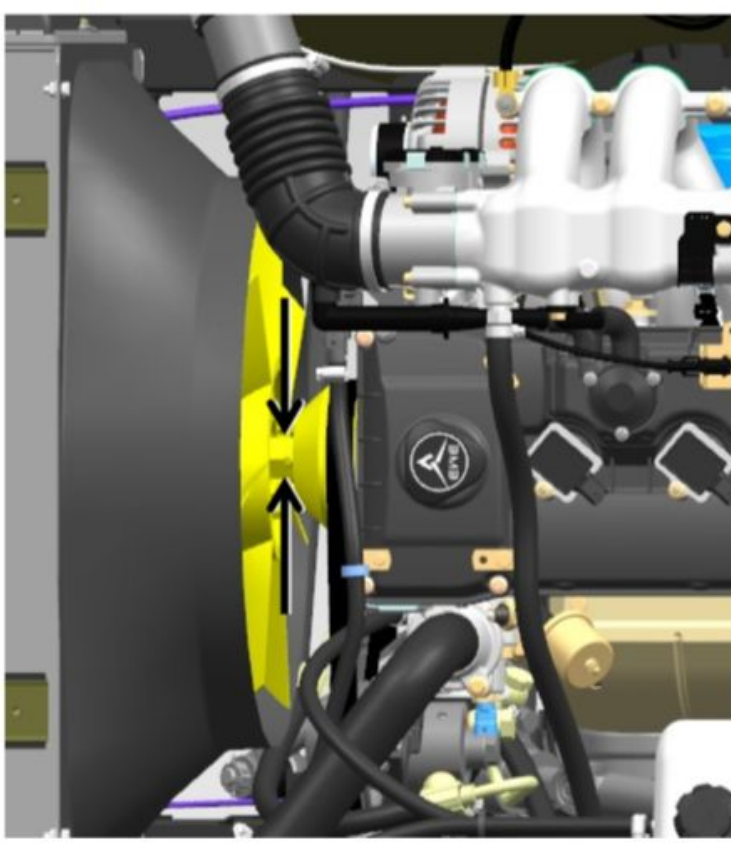


Img 12

18. Tighten the accessory drive belt tensioner pulley bolt.

S=16

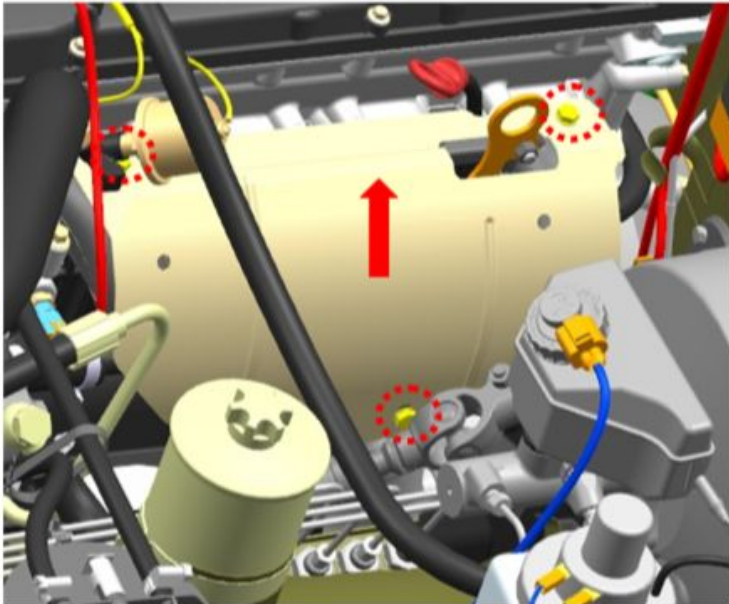
tightening torque- 15 N·m



Img 13

19. Tighten the fan clutch mount.

tightening torque- 55 N·m



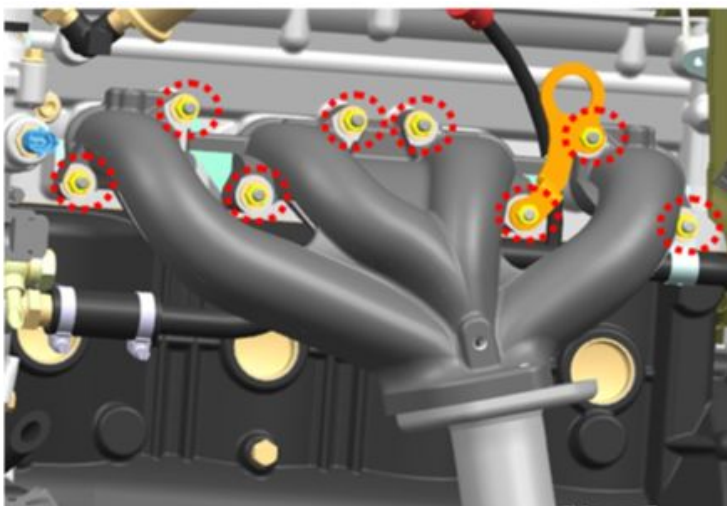
Img 14

20. Remove the bolts with washers securing the exhaust manifold shield.

S=12

tightening torque- 12 N·m

21. Remove the exhaust manifold shield.

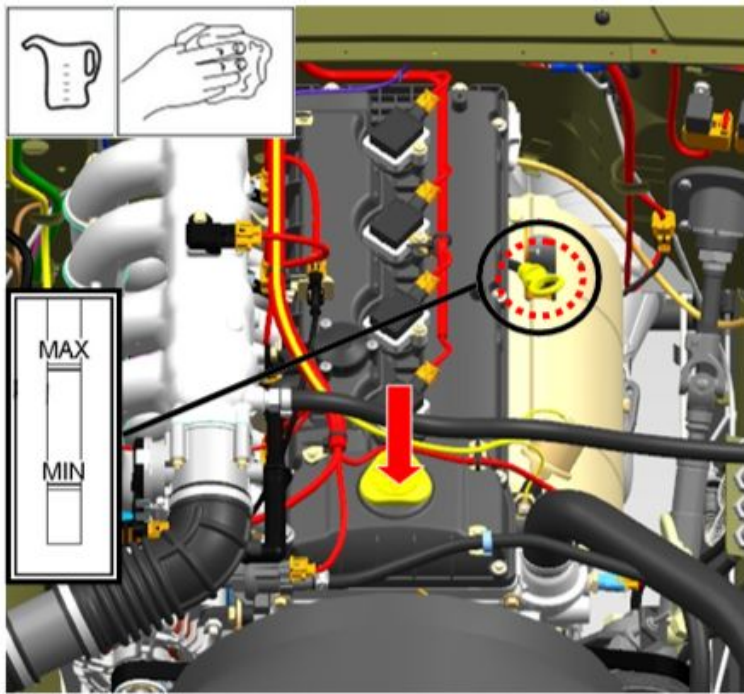


Img 15

22. Tighten the exhaust manifold retaining nuts and washers.

S=12

tightening torque- 23 N·m



Img 16

23. Fill the engine with oil up to the upper mark on the oil level indicator.

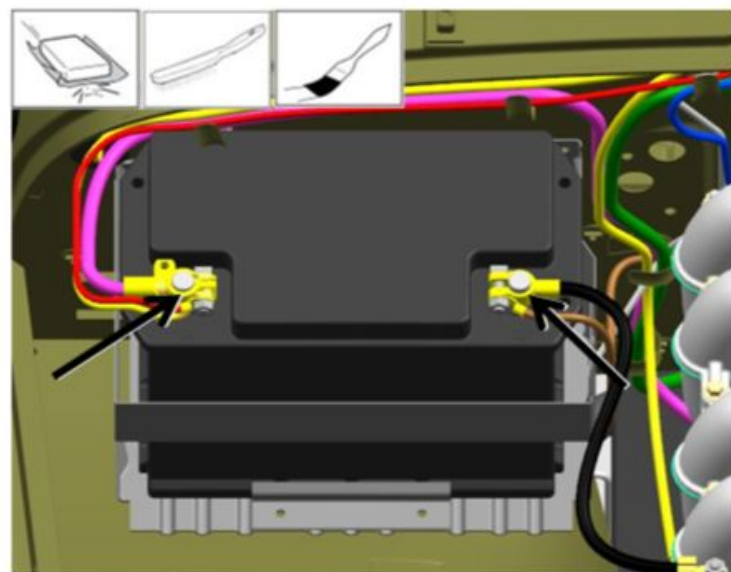
24. Start the engine.

The engine should be idling for 10 minutes. without increasing the load.

25. Stop the engine.

26. Check the oil level.

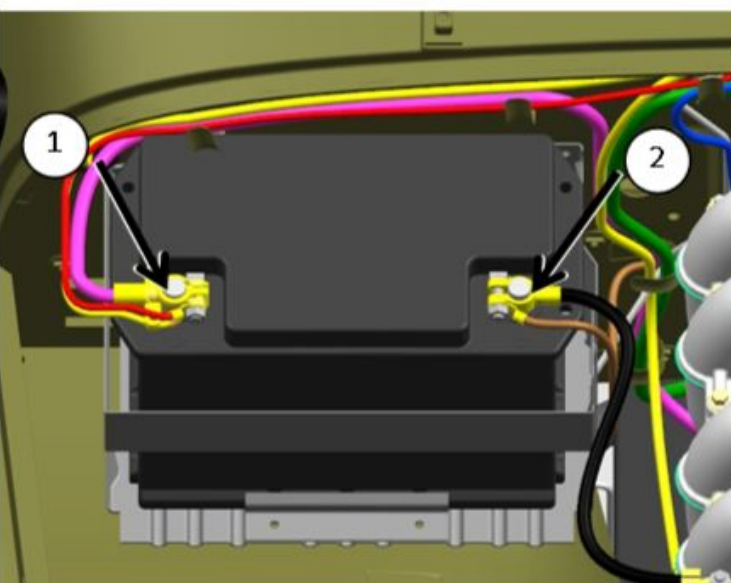
Check the oil level after 2 - 3 minutes. after stopping a warm engine. If necessary, add oil to the upper mark.



Img 17

27. Clean the leads and cable lugs from oxides.

28. Treat leads and wire ends with a means to protect electrical contacts.



Img 18

29. Connect the terminal of the load plug with "plus" to the similar terminal of the battery.

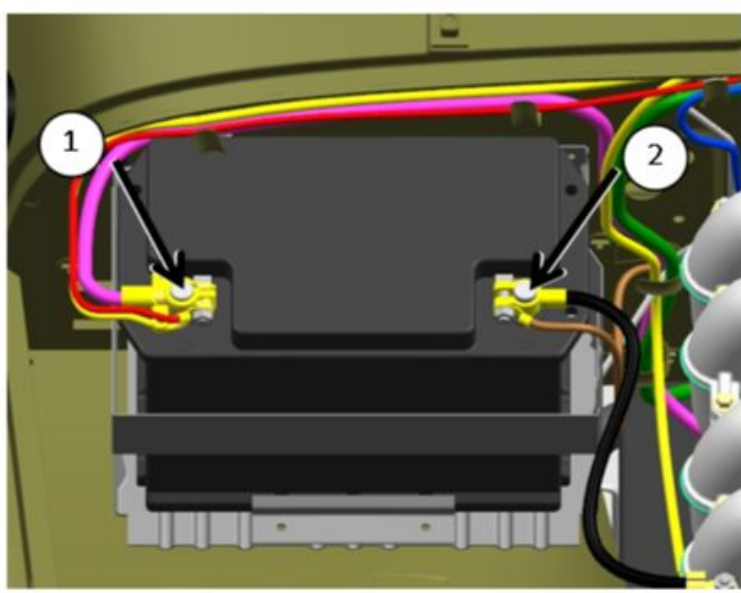
Make the connection without turning on the load coil.

30. Touch the negative pin on the case of the load plug to the negative terminal of the battery.

Record voltmeter readings.

31. Compare the obtained data with the value in Table 2.

If the battery is more than 75% charged, measure under load. If the battery is less than 75% charged, it must be charged.



Img 19

32. Switch on the load coil in the load plug, connect its terminal with "plus" to the same terminal of the battery.

33. Touch the negative pin on the body of the load plug to the negative terminal of the battery, and fix the voltmeter readings at the 5th second.

⚠ NOTIFICATION: DO NOT measure for more than 5 seconds.

34. Compare the obtained data with the value in Table 2 and take the recommended actions.



Img 20

35. Fill in the TO-75000 Card for UAZ Hunter vehicles, see Table 3.